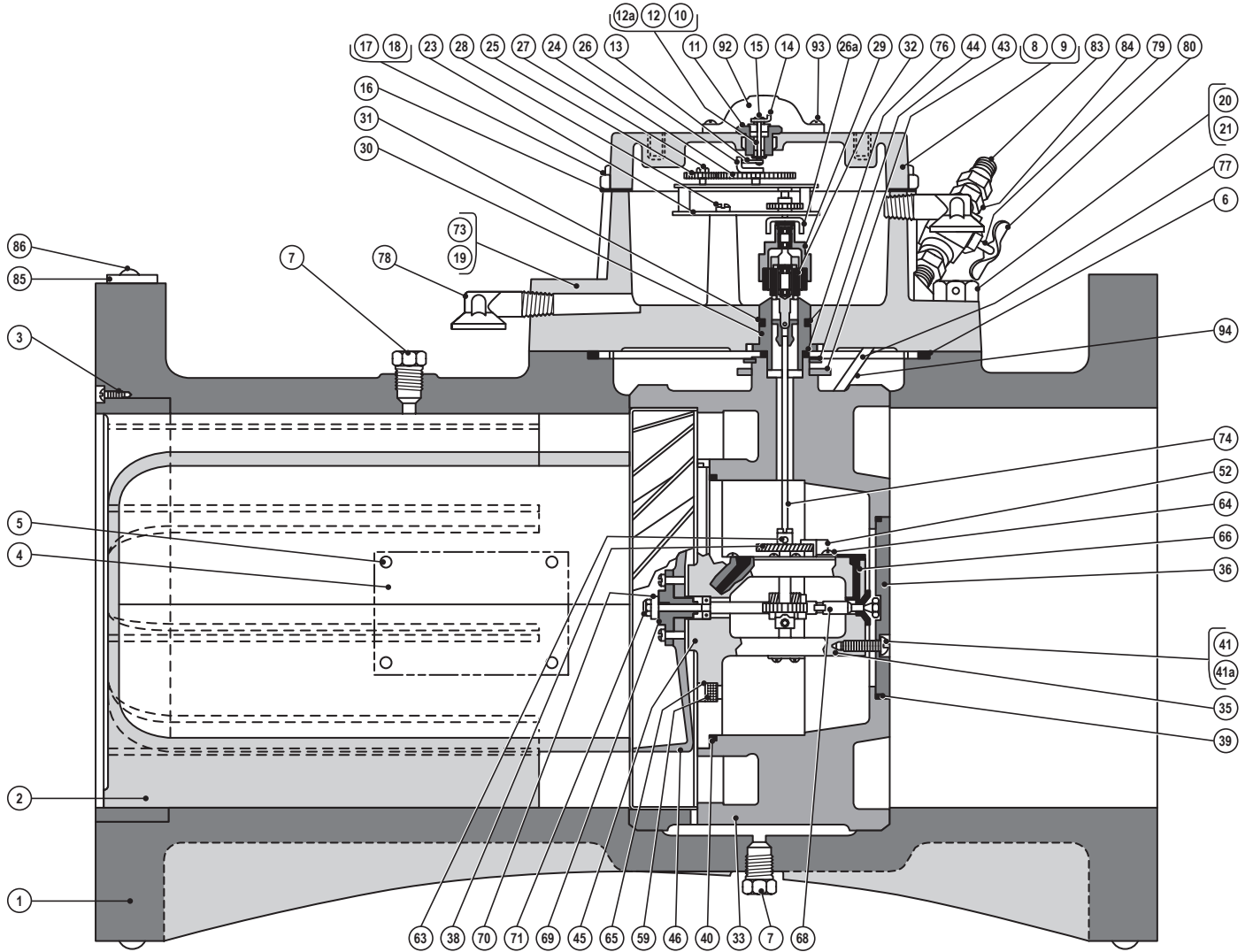


6" Model T-35/T-57 Mark II Turbo-Meter

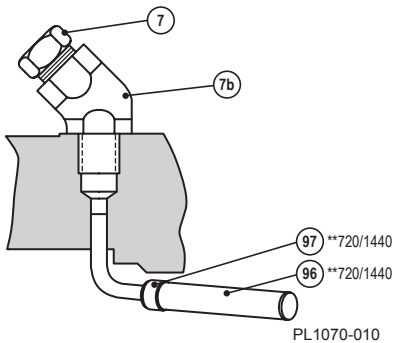
Parts List

Working Pressures: 175, 275, 720, 1440 psi



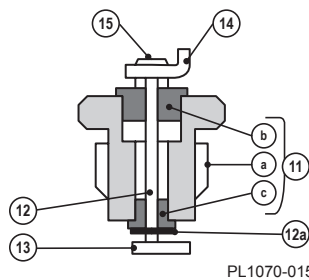
PL1070-005

T-35/T-57 MARK II TURBO-METER GENERAL ASSEMBLY



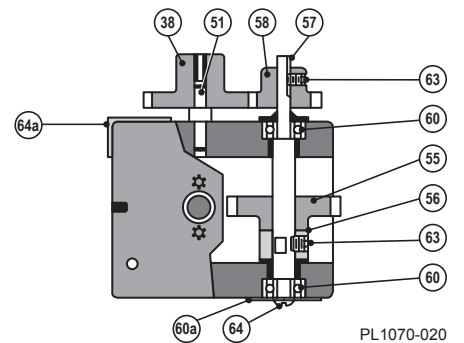
PL1070-010

T-57 ONLY 720/1440#



PL1070-015

INDEX SHAFT GLAND ASSEMBLY



PL1070-020

ROTOR BRACKET AND WORM WHEEL ASSEMBLY (VIEW FROM INLET END)

6" Model T-35/T-57 Mark II Turbo-Meter

NOTE: H.P. designates 275, 720 and 1440 W.P.s

Illustration Number	Quantity Required	Part Description	Part Number	
1	1	Main Body Assembly, AL, 175# W.P. with Badges, Less Nose Cone	006-24-611-20	
		Main Body Assembly, C.S. 275# W.P. ANSI 150 with Badges, Less Nose Cone	006-24-611-21	
		Main Body Assembly, C.S. 720# W.P. ANSI 300 with Badges, Less Nose Cone	006-24-611-60	
		Main Body Assembly, C.S. 1440# W.P. ANSI 600 with Badges, Less Nose Cone	006-24-611-90	
		Main Body Assembly, C.S. 1440# W.P. ANSI 600 with R.J. Flanges, with Badges, Less Nose Cone	006-24-611-91	
2	1	Nose Cone with Straightening Vanes, 175# W.P. Molded	006-24-305-21	
		Nose Cone with Straightening Vanes, All H.P. Molded	006-24-305-91	
3	3	Nose Cone Retainer #8-32 x 3/8" Long Truss Head Stainless Steel Machine Screw	950426	
4	1	Manufacturer Nameplate, 175# W.P.	T-35	006-34-073-20555
			T-57	006-44-073-20555
		Manufacturer Nameplate, 275# W.P.	T-35	006-34-073-30555
			T-57	006-44-073-30555
		Manufacturer Nameplate, 720# W.P.	T-35	006-34-073-50555
			T-57	006-44-073-40555
Manufacturer Nameplate, 1440# W.P.	T-35	006-34-073-80555		
T-57	006-44-073-50555			
5	4	#4 x 3/16" Long Round Head Br. Dr. Screw	903004	
6*	1	Top Plate to Body, O-ring, 175# W.P., Buna-N	934346	
		Top Plate to Body, O-ring, 175# W.P., Viton-A (Optional)	906743	
		Top Plate to Body, O-ring, H.P., Buna-N	950190	
		Top Plate to Body, O-ring, H.P., Viton-A (Optional)	906744	
7	A/R	Steel Pipe Plug 1/4", -20°, All W.P.	906055	
7b	1	1/4" x 45° Street Ell. Stainless Steel, -20°, All H.P.	950762	
8	1	Index Plate Assembly (Includes Illustrations 9, 10, 11 and 13)	006-24-504-21	
9	1	Index Plate	006-24-004-21	
10	1	Index Drive Shaft Assembly (Includes Illustrations 12, 14 and 15)	006-24-554-01	
11	1	Index Shaft Gland Assembly (Includes Illustrations 11a-c)	006-24-323-00	
11a	1	Index Shaft Gland	006-24-023-00	
11b	1	Top Bushing	006-24-052-01	
11c	1	Bottom Bushing	001-60-052-62	
12	1	Index Shaft	006-24-054-02	
12a	1	Retaining Ring	950578	
13	1	Bottom Index Shaft Dog	006-24-071-00	
14	1	Top Index Shaft Dog	006-24-061-04	
15*	1	Shear Pin, Top Index Shaft Dog	006-24-056-00	
16*	1	Gasket, Index Plate to Top Plate	006-24-160-03	
17	3	Cap Screw, Index Plate to Top Plate, 5/16"-18 x 3/4" Long Hex Head Steel	910028	
18	1	Seal Screw, Index Plate to Top Plate, 5/16"-18 x 3/4" Long Hex Head Steel	002-65-057-02	
19	1	Top Plate Assembly, Aluminum, 175# W.P. (All Top Plates are Drilled for Saturable Core Pulse Generator and Include Oil Tubing)	006-24-303-21	
		Top Plate Assembly, ANSI 150, 275# W.P. Steel	006-24-303-34	
		Top Plate Assembly, ANSI 300 and 600, 720# and 1440# W.P. Steel	T-35 006-24-303-98 T-57 006-54-303-98	

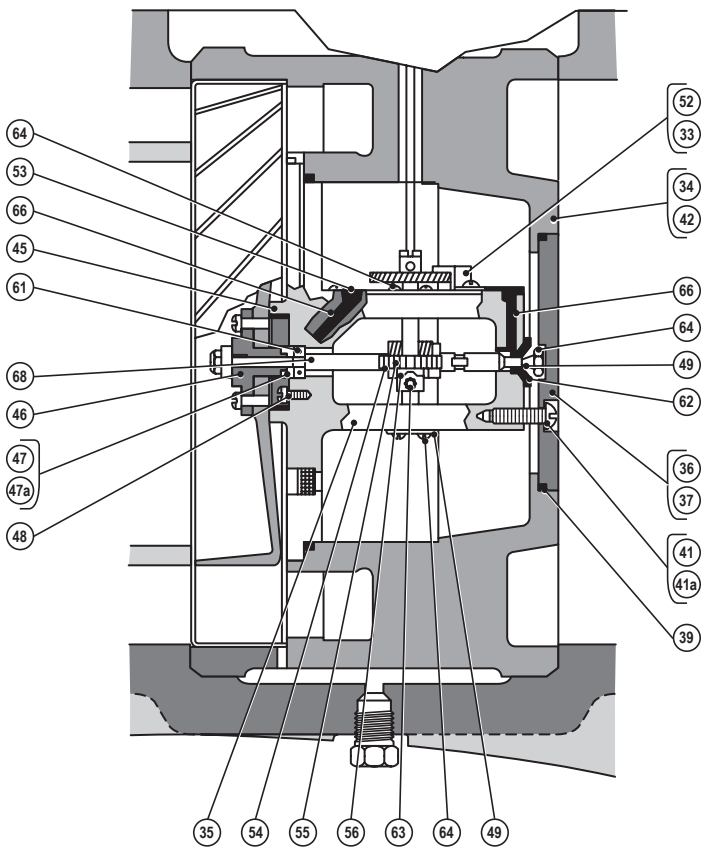
* Recommended Spare Parts.

6" Model T-35/T-57 Mark II Turbo-Meter (Continued)

Illustration Number	Quantity Required	Part Description	Part Number	
20	7	Cap Screw, Top Plate to Body, 175# W.P., ½"-13 x 1½", Hex Head Steel Gr. 5	910107	
	7	Cap Screw, Top Plate to Body, 275# W.P., ½"-13 x 1¾", Hex Head Steel Gr. 8	935647	
	13	Cap Screw, Top Plate to Body, 720# and 1440# W.P., ¾"-10 x 2½", Hex Head Steel Gr. 8	935680	
21	1	Seal Screw, Top Plate to Body, 175# W.P., ½"-13 x 1½", Hex Head Steel Gr. 5	006-24-056-01	
		Seal Screw, Top Plate to Body, 275# W.P., ½"-13 x 1¾", Hex Head Steel Gr. 8	006-24-056-02	
		Seal Screw, Top Plate to Body, 720# and 1440# W.P., ¾"-10 x 2½", Hex Head Steel Gr. 8	006-24-057-91	
23*	1	Intermediate Gear Train, 100 CF/REV. Output	006-24-212-40	
		Intermediate Gear Train, 1000 CF/REV. Output	006-24-212-21	
		Intermediate Gear Train, 10.0 M³/REV. Output	006-24-212-22	
		Intermediate Gear Train, 1.0 M³/REV. Output	006-24-212-41	
24	1	Large Change Gear – NOTE: "xx" Refers to Gear Blank Size, "yy" Refers to Number of Gear Teeth Digits Must Be Substituted for Both "xx" and "yy" in Ordering. See Drawing SD-1034-C.	006-24-3xx-yy	
25	1	Small Change Gear (See NOTE Above)	006-24-3xx-yy	
26	1	Intermediate Gear Output Dog (Top)	002-66-071-03	
26a	1	Intermediate Gear Driver Dog (Bottom)	006-24-061-20	
27	1	#4-40 Hex Stainless Steel Nut	907639	
28	3	#8-32 x ¾" Long Fillister Head Stainless Steel Machine Screw	903371	
29*	1	Follower Magnet Assembly (Includes Magnet and Illustrations 29b-d)	006-24-313-20	
		Follower Magnet Assembly for Units with Slot Sensor (Includes Magnet and Illustrations 29b-d)	006-24-313-22	
29b	1	Retaining Ring	904691	
29c	2	Bearing	905462	
29d	1	Spacer	006-24-106-20	
30*	1	Magnet Well and Post Assembly, 175# and 275# W.P.	006-24-244-20	
		Magnet Well and Post Assembly, 720# and 1440# W.P.	006-24-244-90	
31*	1	Magnet Well O-ring, Buna-N	950193	
		Magnet Well O-ring, Viton (Optional)	908264	
32*	1	Magnet Holder and Bearing Assembly (Includes Illustrations 32a-d)	006-31-334-00	
32a	1	Magnet Holder and Groove Pin Assembly (with Magnet)	006-31-234-02	
32b	1	Retaining Ring	904691	
32c	2	Bearing	905462	
32d	1	Spacer	006-22-106-03	
33	1	As Above, with Buna-N Seals	T-35 LP	006-24-302-22
			T-35 HP	006-24-302-98
			T-57 LP	006-54-302-22
			T-57 275#	006-54-302-70
			T-57 720/1440# **	006-54-302-98
			T-35 LP	006-24-302-23
			T-35 HP	006-24-302-99
			T-57 LP	006-54-302-23
			T-57 275#	006-54-302-71
			T-57 720/1440# **	006-54-302-99
34	1	Internal Housing and Adapter Plate Assembly, All Pressures (Includes Illustrations 42, 43 and 44)	006-24-202-21	

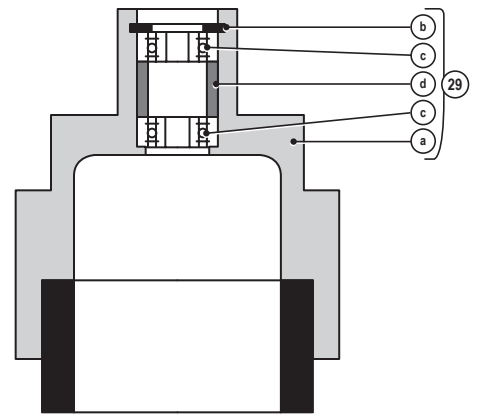
* Recommended Spare Parts.

** T-57, 720/1440# – 302 – Assemblies Include Items 96 and 97.



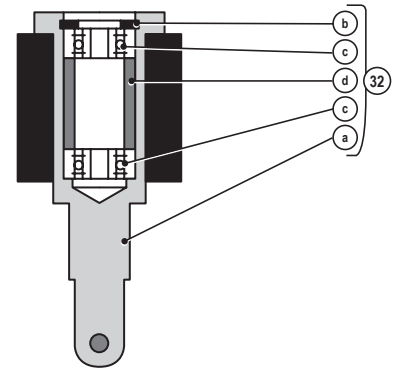
ROTOR, BRACKET AND INTERNAL HOUSING ASSEMBLY

PL1070-025



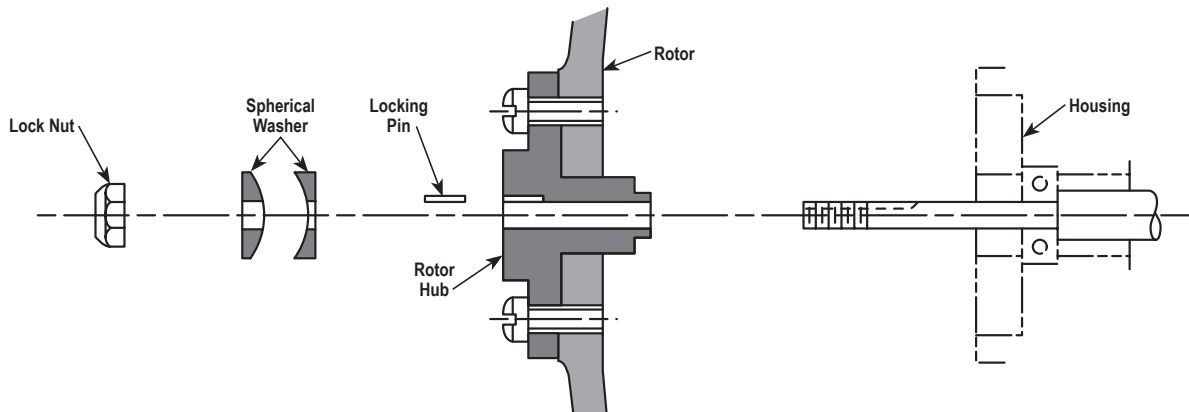
FOLLOWER MAGNET AND BEARING ASSEMBLY

PL1070-035



DRIVER MAGNET HOLDER AND BEARING ASSEMBLY

PL1070-040



**ROTOR TO SHAFT ASSEMBLY
6" T-35/T-57**

PL1070-030

6" Model T-35/T-57 Mark II Turbo-Meter (Continued)

Illustration Number	Quantity Required	Part Description		Part Number
35*	1	Rotor Bracket and Worm Wheel Assembly (Includes Illustration 38 plus 45, 46, 47, 47a, 48, 49, 51-71)	T-35	006-24-309-26
			T-57	006-54-309-26
36	1	Internal Housing Plate Assembly (Includes Illustrations 37, 59 and 65)		006-24-210-20
37	1	Internal Housing Plate		006-24-010-21
38	1	Drive Gear	29T, T-35	006-24-429-29
			21T, T-57	006-54-429-21
39*	1	Seal, Buna-N		1191301
		Seal, Viton (Optional)		906962
40*	1	Seal, Buna-N		1191302
		Seal, Viton (Optional)		906963
41	2	#10-24 x 3/4" Round Head Stainless Steel Machine Screw		905549
41a	2	Lockwasher, Ext. 3/16" Steel		904016
42	1	Internal Housing (with Oil Tubing)		006-24-002-21
43	1	Adapter Plate and Bushing Assembly		006-22-262-01
44	1	Retaining Ring		904435
45	1	Bearing Bracket and Pin Assembly		006-24-209-23
46	1	Rotor and Insert Assembly, All Pressures	T-35	006-24-250-91
			T-57	006-54-250-91
47	1	Upstream Bearing Retainer		006-24-117-22
47a	2	Lockwasher		950078
48	2	#4-40 x 3/8" Long Fillister Head Stainless Steel Machine Screw		903340
49	1	Downstream Bearing Retainer Plate		006-32-117-01
51	1	Gear Post		006-31-028-00
52	1	Gear Retainer		006-24-080-00
53	1	Oil Reservoir Cover Plate		006-24-079-01
54	1	Worm Gear, Stainless Steel		006-26-017-80
55	1	Worm Wheel		006-24-035-00
56	1	Worm Wheel Collar		006-24-070-02
57	1	Worm Wheel Shaft		006-24-046-20
58	1	Idler Gear	44T, T-35	006-31-344-44
			52T, T-57	006-34-344-52
59	2	Filter Screen, Stainless Steel		006-22-083-01
60	2	Worm Wheel Shaft Bearing		908660
60a	2	Worm Wheel Shaft Bearing Retainer Plate		006-22-117-01
61	1	Upstream Rotor Shaft Bearing		950277
62	1	Downstream Rotor Shaft Bearing		950236
63	5	#6-32 x 1/2" Long Socket Stainless Steel Nylon Locking Set Screw		950375
64	7	#4-40 x 1/4" Long Round Head Stainless Steel Machine Screw		903025
64a	4	#4-40 x 1/8" Long Round Head Stainless Steel Machine Screw (Oil Reservoir Cover Plate Screws)		907401
65	2	Filter Screen Retaining Ring		904419
66	2	Oiler Felt 0.09 x 0.09		1191430
68	1	Rotor Shaft		006-24-024-21
69	1	Rotor Locking Pin		006-24-069-00

* Recommended Spare Parts.

6" Model T-35/T-57 Mark II Turbo-Meter (Continued)

Illustration Number	Quantity Required	Part Description	Part Number
70	1	Spherical Washer Set	906179
71	1	Rotor Retaining Nut, #10-24 Hex Head	906180
73	1	Measuring Module, Complete, 175# W.P. (Includes Illustrations 6, 19, 28-33, 74-80, 83, 84, 87 and 88), T-35	Contact Sensus Sales Rep.
		Measuring Module, Complete, 275# W.P. (Includes Illustrations 6, 19, 28-33, 74-79, 83, 84, 87 and 88), T-35	Contact Sensus Sales Rep.
		Measuring Module, Complete, 720# and 1440# W.P. (Includes Illustrations 6, 19, 28-33, 74-79, 83, 84, 87 and 88), T-35	Contact Sensus Sales Rep.
		Measuring Module, Complete, All W.P. (Includes Illustrations 6, 19, 28-33, 74-80, 83, 84, 87 and 88), T-57	Contact Sensus Sales Rep.
74	1	Coupling Shaft, 175#	006-24-345-20
		Coupling Shaft, All H.P.	006-24-345-90
75	2	#8-32 x 3/4" Hex Head Stainless Steel Machine Screw (Adapter Plate to Top Plate)	906178
76*	1	Seal, Buna-N	904214
		Seal, Viton (Optional)	906736
77	1	Tygothane Tubing, 3/16" O.D. x 0.031" Wall, 6" Long	99993
78	2	Vent Cap – 1/4" Assembly	006-24-505-01
79		Nipple, 1/4" x 1/4" Hex Br., 175# W.P.	904765
		Nipple, 1/4" x 3" Steel, Sch. 80, H.P.	950760
80	1	1/4" Needle Valve, 175# W.P.	950428
		1/4" Needle Valve, All W.P.	950710
83	1	Alemite Fitting	006-24-145-00
84	1	1/4" x 1/8" Male to Female, Steel Bushing (Used with Illustration 83)	950759
85	1	Inlet Badge	015-16-090-02
86	2	#2 x 1/8" Long Round Head Br. Drive Screw	903003
87	1	Manufacture's Badge – Affixed to Top Plate	T-35 006-24-073-45555
			T-57 006-54-073-32555
88	4	#0 x 1/8" Long Round Head Br. Drive Screw	903001
		Oil, 1 Gallon Can	006-22-405-02
		Lubrication Hand Gun	006-24-400-00
		Blank Top Plate, 175# W.P.	006-24-003-26
		Blank Top Plate, 275# W.P.	006-24-003-27
		Blank Top Plate, 720# and 1440# W.P.	006-24-003-92
89	3	1/4" Stainless Steel Lockwasher	904030
90	3	1/4"-20 x 3/8" Long Socket Head Stainless Steel Cap Screw	908179
91	1	Cap, Probe Mounting Hole	006-24-129-00
92	1	Cover, Stuffing Box	225-16-131-01
93	2	#8-32 x 3/16" Round Head Steel Screw	914450
94	2	Compression Ring, Oil Line	950682
95	1	Oil, 4 oz. Bottle	006-22-405-01
96	2	Compression Ring, 720# and 1440# (See Illustration on Page 2)	T-57 Only 950772
97	0.5'	Tubing, Pressure Tap, 720# and 1440# (See Illustration on Page 2)	T-57 Only 800700

* Recommended Spare Parts.

6" Model T-35/T-57 Mark II Turbo-Meter

Parts List

Authorized Distributor:

All products purchased and services performed are subject to Sensus' terms of sale, available at either <http://na.sensus.com/TC/TermsConditions.pdf> or 1-800-METER-IT. Sensus reserves the right to modify these terms and conditions in its own discretion without notice to the customer.

This document is for informational purposes only, and SENSUS MAKES NO EXPRESS WARRANTIES IN THIS DOCUMENT. FURTHERMORE, THERE ARE NO IMPLIED WARRANTIES, INCLUDING WITHOUT LIMITATION, WARRANTIES AS TO FITNESS FOR A PARTICULAR PURPOSE AND MERCHANTABILITY. ANY USE OF THE PRODUCTS THAT IS NOT SPECIFICALLY PERMITTED HEREIN IS PROHIBITED. © 2012 Sensus.